

Autocorrelators Model Overview

pulseCheck NX

- High-Resolution Multitalent

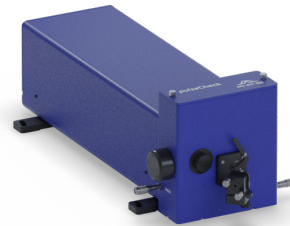
[page 3](#)



pulseCheck SM 2000

- Long-Range Autocorrelator

[page 9](#)



... Benefits & Technology

Optics and Detector Technology

A wide variety of professional applications can be covered with various detector types and optics sets. Photomultiplier (PMT) detectors are highly sensitive and are ideal for pulse measurements at low pulse energies. Photodiode detectors, on the other hand, are perfect for measuring lasers with high peak power. In combination with highly efficient optics, our detectors pave the way for measurements over an wide wavelength spectrum from 200 nm to 12 μm .

Collinear and Non-Collinear Measurements

Our autocorrelators support fast switching between collinear and non-collinear measurement modes. The collinear mode - often referred to as interferometric or fringe-resolved mode - provides additional qualitative information about the chirp and the central wavelength of the pulse. In contrast, the non-collinear mode - also referred to as intensity autocorrelation - provides background-free, high dynamic range autocorrelation. Although not background-free, switching between these two modes is even realized with the Mini TPA and TPA optics sets for pulseCheck.

Automatic Phase Matching

Autocorrelators take advantage of phase-sensitive and nonlinear processes and require what is called phase matching. APE's pulseCheck achieves this software aided for each wavelength range, resulting in precise and fast operation without the need for manual adjustment. Measurements are made even easier by using our TPA detectors, which combine detector and nonlinear optics in a single element. Here, phase matching adjustment is no longer necessary at all.

Plug & Play and Easy Integration with Network Interface

The pulseCheck offers easy-to-use plug & play capability via USB. In addition, the pulseCheck can be easily integrated into automated test and measurement environments with an Ethernet connection (SCPI over TCP/IP). And all this is possible without the need for an additional PC. The pulseCheck can also be controlled directly from any location via a network connection.



pulseCheck NX

The Modular Autocorrelator

Pulse Measurement Perfection
with the Multitalent from APE

The pulseCheck platform grows with your tasks. Suitable for characterizing virtually all ultrafast pulse lasers, APE's pulseCheck autocorrelator covers a wide range of wavelengths and pulse widths. This flexibility is achieved by using interchangeable optics sets, typically consisting of a nonlinear crystal and a dedicated detector module.



- Exchangeable Optics Sets for wavelength coverage from 200 nm to 12 μm
- Wide range of sensitivity levels covered with PMT, PD, and TPA
- High temporal resolution with a sampling resolution down to 50 attoseconds
- Toggle between interferometric and intensity autocorrelation
- Integrated Controller for data acquisition, data fitting, and fast FPGA data processing
- Software aided wavelength tuning of crystal (phase matching)
- Fully compliant with DIN 58175-2:2021-04 (pulse measurement)
- NX-Software and USB as well as Ethernet connection
- TCP/IP remote control with standardized command set for easy programming
- Option: FROG for complete pulse characterization

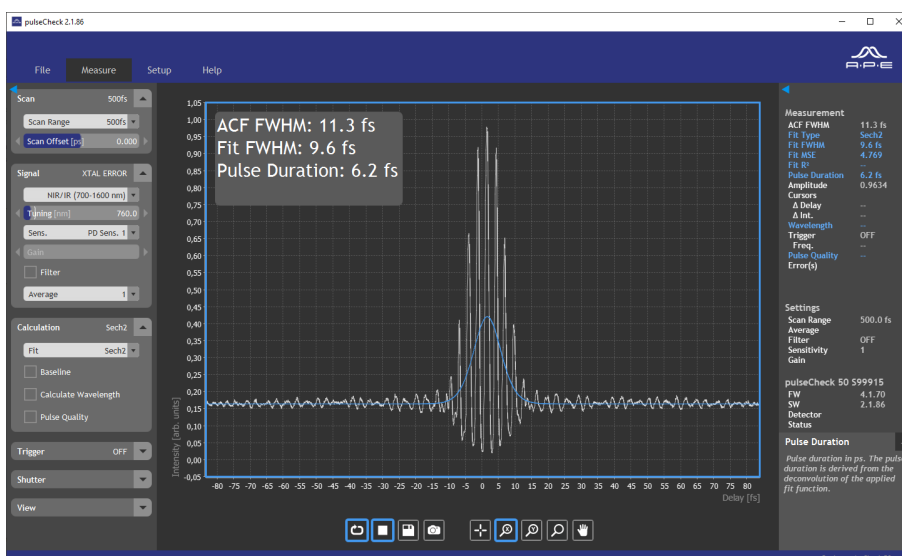
pulseCheck NX Overview

Overview

| Specifications | pulseCheck NX 50 | pulseCheck NX 150 | pulseCheck SM 2000 |
|----------------------|---|---|--|
| Pulse Width | 5 fs - 15 ps | 10 fs - 40 ps | 20fs - 500 ps |
| Wavelengths | 200 nm - 12 μ m, depending on optics set | 200 nm - 12 μ m, depending on optics set | 200 nm - 12 μ m, depending on optics set |
| Delay Resolution | 50 attoseconds | 200 attoseconds | 1 femtosecond |
| Refresh Rate | 10 Hz | 7.5 Hz | Depending on scan range, 120 ps/sec |
| Intensity Resolution | 18 bit | 18 bit | 18 bit |
| Detector Types | PMT, TPA, PD | PMT, TPA, PD | PMT, TPA, PD |
| Electronics | Integrated | Integrated | Integrated |
| Software | NX Software | NX Software | V 2019 Software |
| Connectivity | USB, Ethernet | USB, Ethernet | USB, Ethernet |
| | | | see page 14 pulsecheck SM 2000 for details |

High Resolution & Strong Processing Performance

The advanced system-on-chip based architecture enables measurements with low latency, a high time resolution down to 50 attoseconds and an intensity dynamic range of 18 bit. This allows full access to even the tiniest autocorrelation features.



Software GUI for pulseCheck NX

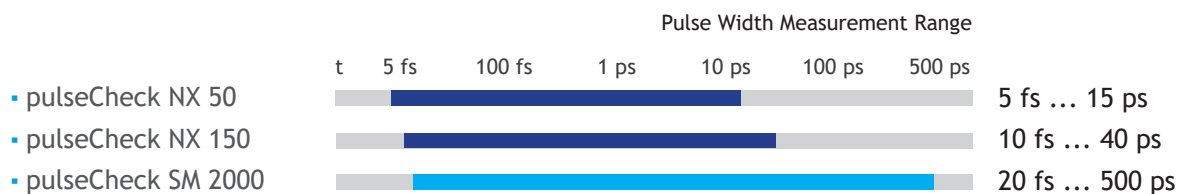
... Flexibility for your Experiments

Maximum Functionality through Modular Design

APE meets the growing need for maximum functionality and flexibility with the modular concept on which the pulseCheck autocorrelator series is based. Thus, Optics sets to upgrade the wavelength range or FROG capability can be added any time.

From Ultrashort to Longer Pulses

Various pulseCheck configurations can be adapted to the individual needs of pulse duration measurement. The measurement of extra long pulse durations up to 500 ps is possible with pulseCheck SM.



High Sensitivity and Low Noise with Three Types of Detectors

- Photodiode Detector (PD)
- Photomultiplier (PMT)
- Two-Photon Absorption (TPA)

Standard sensitivity up to 1 W^2
 Highest sensitivity up to 10^{-6} W^2
 High sensitivity up to 10^{-2} W^2



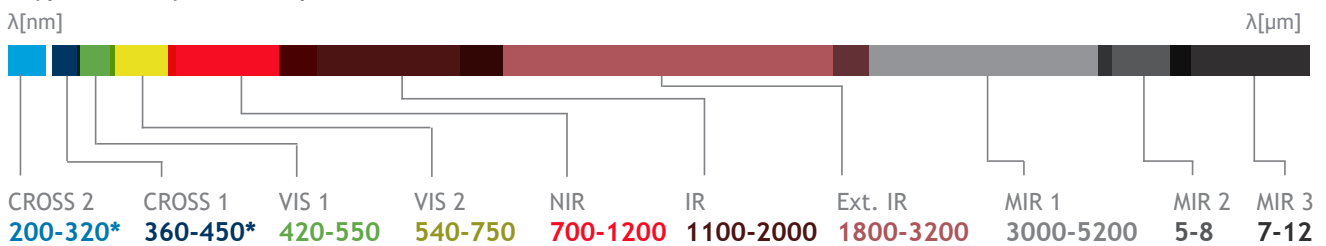
pulseCheck NX

Optics Sets

A variety of different and exchangeable optics sets cover a wide wavelength range: from UV at 200 nm to mid IR at 12 μm .

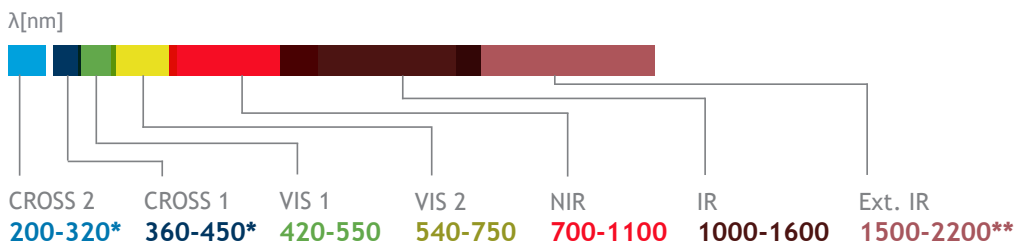
Photodiode (PD)

- **Typ. Sensitivity:** 1 W^2 ▪ **Rep. Rate:** $> 10 \text{ Hz}$ ▪ **Measurement Mode:** Collinear and Non-collinear



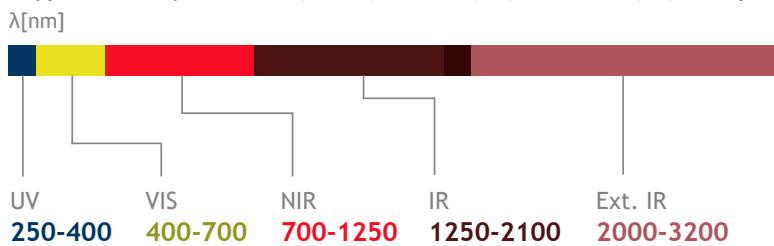
Photomultiplier (PMT)

- **Typ. Sensitivity:** up to 10^{-6} W^2 ▪ **Rep. Rate:** $> 250 \text{ kHz}$ ▪ **Measurement Mode:** Collinear and Non-collinear



Two Photon Absorption (TPA)

- **Typ. Sensitivity:** $< 0.1 \text{ W}^2$ (NIR/IR) ▪ $< 1 \text{ W}^2$ (VIS) ▪ $< 100 \text{ W}^2$ (UV) ▪ **Rep. Rate:** $> 10 \text{ Hz}$ ▪ **Measurement Mode:** Collinear Intensity



* For cross-correlation: wavelength range depends on pump wavelength

** For the wavelength range 1500 - 2200 nm we recommend to use the highly sensitive IR detector "Extended IR PD SELECTED"

pulseCheck NX Specifications

Specifications

| | |
|-------------------------------------|--|
| Measurable Pulse Width Range* | 5 fs - 15 ps with pulseCheck NX 50; 10 fs - 40 ps with pulseCheck NX 150 |
| Wavelength Range | 200 nm - 12 μ m, depending on Optics Set |
| Exchangeable Detector (Optics Sets) | PMT, PD, or TPA |
| Dealy Sampling Resolution | Down to 50 attoseconds (NX 50), 200 attoseconds (NX 150) |
| Refresh Rate | 10 Hz (NX 50); 7.5 Hz (NX 150) |
| Sensitivity | Typically 1 ... 10^{-6} W ² depending on Optics Set** |
| Intensity Resolution | 18 Bit |
| Pulse Repetition Rate | PD, TPA: 10 Hz and above; PMT: 250 kHz and above |
| Type of Measurement Mode | PMT, PD : non-collinear intensity, collinear interferometric; TPA: hybrid non-collinear intensity, collinear interferometric; |
| SHG Tuning for Phase Matching | PMT/PD: automatic; TPA: not applicable |
| Trigger Mode | TTL for $f < 50$ kHz |
| Input Polarization | Linear horizontal, vertical available as option |
| Input Beam Coupling | Free-space (6 mm aperture); Option: fiber coupling FC/PC, FC/APC, SMA |
| Max Input Power | 0.5 W (e.g. oscillator with a rep. rate of approx. 70 MHz) or 5 μ J (e.g. amplified system with rep. rates in the kHz range), whichever results in lower value |
| Connectivity | USB and Ethernet |
| Remote Control | Possible via TCP/IP (SCPI command set) |
| Calibration | NIST traceable calibration certificate included |
| Calibration | NIST traceable calibration certificate included |

NX Software & Electronics

| | |
|--------------------------|---|
| Electronics | <ul style="list-style-type: none"> • Integrated controller for data acquisition, processing and data fitting • Fast FPGA data post-processing • > 10k datapoints per scan • Connectivity: USB and Ethernet • In-field software and firmware updates |
| Software | <ul style="list-style-type: none"> • Intuitive and easy-to-navigate • Plug & play installation • Real-time display of the pulse width (measured ACF and fitted pulse width) • Fitting Routines: Gaussian, Sech², Lorentz • Measurement of central wavelength |
| NX Software Enhancements | <ul style="list-style-type: none"> • The metadata dashboard displays all measurement results and device status • The new help section displays hints and explanation for all software buttons and functions • The new monochromatic Contrast Screen Mode helps to enhance the readability of the screen while wearing laser safety glasses |
| Remote | <ul style="list-style-type: none"> • Direct remote control via TCP/IP (no PC software required) • Users can create their own measurement remote routines using the standardized SCPI command set and data acquisition |

* 13 fs² internal dispersion at 800 nm for short-pulse option to be considered

** Sensitivity is defined as measured sensitivity including Optics Set, defined as average power times peak power of the incident pulses
 $P_{AV} * P_{peak}$

Options

- Various Optics Sets
- Fiber coupling
- Polarization rotator
- FROG

Compliance

- CE certified
- NIST traceable calibration with HeNe laser
- Fully compliant with DIN 58175-2:2021-04 (Autocorrelation measurement methods)

Dimensions and Power

| | |
|------------|--|
| Dimensions | 244 x 201 x 309 mm (pulseCheck NX 50) 244 x 201 x 395 mm (pulseCheck NX 150) See appendix for technical drawings |
|------------|--|

| | |
|-------|----------------------------------|
| Power | 95 ... 240 V, 50 ... 60 Hz, 60 W |
|-------|----------------------------------|

pulseCheck SM 2000 Long-Range Autocorrelator

Pulse Width Measurement up to 500 ps

With the revised version of the long-range delay technology in pulseCheck SM, the new autocorrelator offers a scanning range up to three times larger and a measuring speed up to five times faster than the previous long-range models. The pulseCheck SM includes a high performance controller that is integrated into the device.

The pulseCheck SM is suitable for particularly long pulse durations of up to 500 ps. At the other end, short pulses down to 20 fs can be measured. A resolution of 1 fs and a sampling rate of 1 MHz is available over the entire measurement range.



- Pulse widths from 20 fs up to 500 ps
- Optics Sets from 200 nm to 12 μm
- Measurement speed of 120 ps/sec
- Automatic phase matching
- Integrated high performance controller
- Toggle between interferometric and intensity autocorrelation
- Wide range of sensitivity levels covered with PMT, PD, and TPA
- USB & Ethernet connectivity and TCP/IP remote control
- Gaussian, Sech², and Lorentzian fitting routines
- NIST traceable calibration

pulseCheck SM 2000 Specifications

Specifications

| | |
|-----------------------------|---|
| Measurable Pulse Width* | 20 fs ... 500 ps (20 fs - 150 ps directly measured, 150 ps - 500ps half ACF measured) |
| Wavelength Range | 200 nm - 12 µm, depends on Optics Set |
| Optics Sets | Exchangeable; Detector-Types: PMT, PD, or TPA |
| Delay Resolution | 1 fs |
| Delay Linearity | < 1 % |
| Scan Speed | 120 ps/s |
| Sampling Rate | 1 MHz |
| Sensitivity** | Typically 1 ... 10 ⁻⁶ W ² depending on Optics Set |
| Recommended Repetition Rate | PD, TPA: 1 Hz ... GHz; PMT: 250 kHz ... GHz |
| Type of Measurement Mode | PMT, PD : non-collinear intensity, collinear interferometric; TPA: hybrid collinear intensity |
| Trigger Mode | TTL, repetition rate 1 Hz - 10 kHz |
| Input Polarization | Linear horizontal, vertical available as option |
| Input Beam Coupling | Free-space (6 mm aperture); Option: fiber coupling FC/PC, FC/APC, SMA |
| Max Input Power | 0.5 W (e.g. oscillator with a rep. rate of approx. 70 MHz) or 5 µJ (e.g. amplified system with rep. rates in the kHz range), whichever results in lower value |
| Software | Included; Real-time display of data and pulse parameters |
| Fitting Routines | Gaussian, Sech ² , Lorentz |
| Connection | USB, Ethernet |
| Remote Control | Possible via TCP/IP (SCPI command set) |
| Calibration | NIST traceable calibration certificate included |

Dimensions and Power

| | |
|------------|---|
| Dimensions | 253 x 190 x 572 mm (W/H/L) See appendix for technical drawings |
| Power | 95 ... 240 V, 50 ... 60 Hz, Power 60 W |

* 13 fs² internal dispersion at 800 nm for short-pulse option to be considered

** Measured sensitivity including Optics Set, defined as average power times peak power of the incident pulses $P_{AV} * P_{peak}$

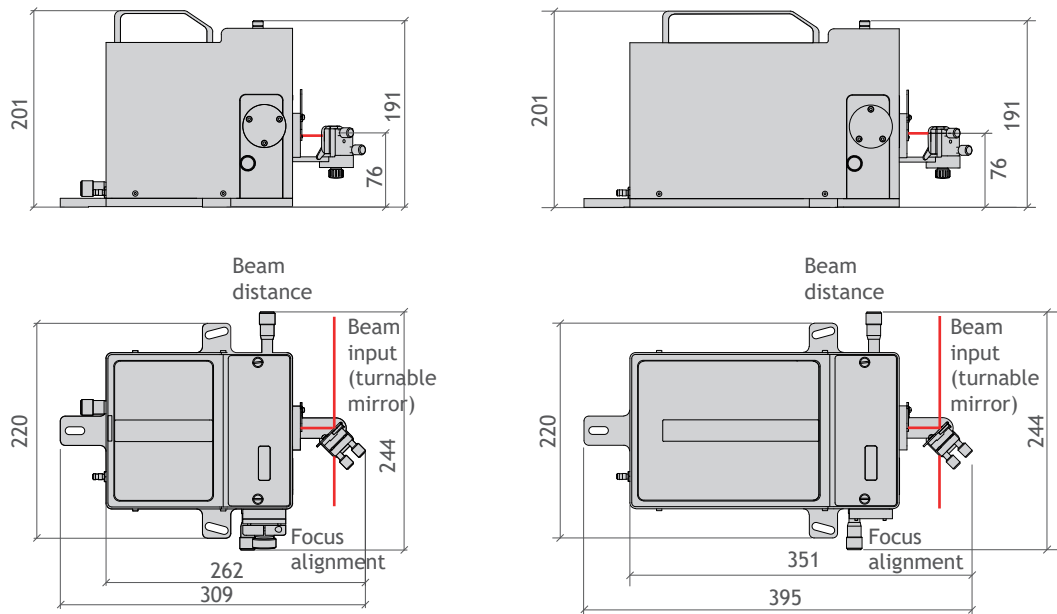
Appendix Technical Drawings

All Dimensions in mm

pulseCheck NX

- Multitalent for any task

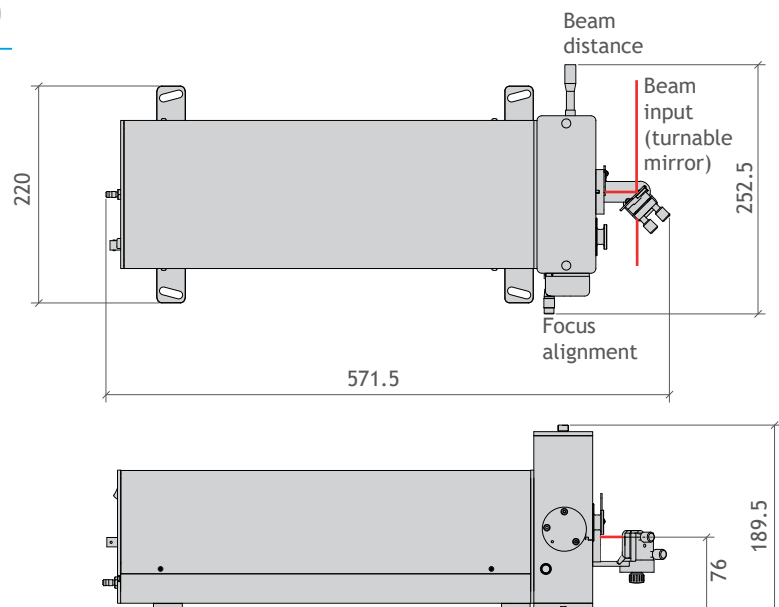
[page 3](#)



pulseCheck SM 2000

- Long-range autocorrelator

[page 9](#)



Contact

APE Angewandte Physik & Elektronik GmbH
 Plauener Str. 163-165 | Haus N | 13053 Berlin | Germany
 T: +49 30 986 011-30 F: +49 30 986 011-333
 E: sales@ape-berlin.de www.ape-berlin.de